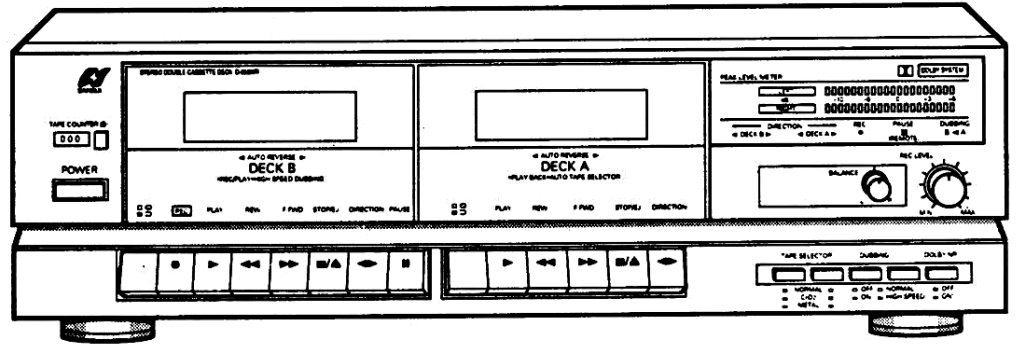




SERVICE MANUAL

D-950WR STEREO CASSETTE DECK



CAUTION

1. Parts identified by the ! symbol on the schematic diagram and the parts list are critical for safety. Use only replacement parts that have critical characteristics recommended by the manufacturer.
2. Make leakage-current or resistance measurements to determine that exposed parts are acceptably insulated from the supply circuit before returning the appliance to the customer.

NOTICE

1. The symbols UL, CSA, SS and XX <EXPORT> on the parts list and the schematic diagram mean followings respectively.

UL Manufactured for U.S.A. market.
(Underwriters Laboratories approved model.)
CSA Manufactured for Canadian market.
SS Manufactured for Saudi Arabian market.
XX Standard Version.
<EXPORT>
NON MARK Common Parts.

2. Some printed circuit boards are not supplied assembled. To separate these in this service manual, the part numbers are not indicated for these boards. However, part numbers for individual parts are indicated.

3. Since some capacitors and resistors are omitted from parts lists in this service manual, refer to the Common Parts List for capacitors and resistors, which was issued on June 1987.

4. Abbreviations in this service manual are as follows:

Abbreviations List

C.R. : Carbon Resistor	E.B.L. : Low Leak Bi-Polar Electrolytic Capacitor
S.R. : Solid Resistor	Ta.C. : Tantalum Capacitor
Ce.R. : Cement Resistor	F.C. : Film Capacitor
M.R. : Metal Film Resistor	M.P. : Metalized Paper Capacitor
F.R. : Fusing Resistor	P.C. : Polystyrene Capacitor
N.I.R. : Non-Inflammable Resistor	M.M.C. : Metalized Mylar Capacitor
A.R. : Array Resistor	A.C. : Array Capacitor
C.C. : Ceramic Capacitor	V.R. : Variable Resistor
C.T. : Ceramic Capacitor, Temperature Compensation	S.V.R. : Semi-Variable Resistor
E.C. : Electrolytic Capacitor	SW. : Switch
E.L. : Low Leak Electrolytic Capacitor	S.C. : Styrol Capacitor
E.B. : Bi-Polar Electrolytic Capacitor	

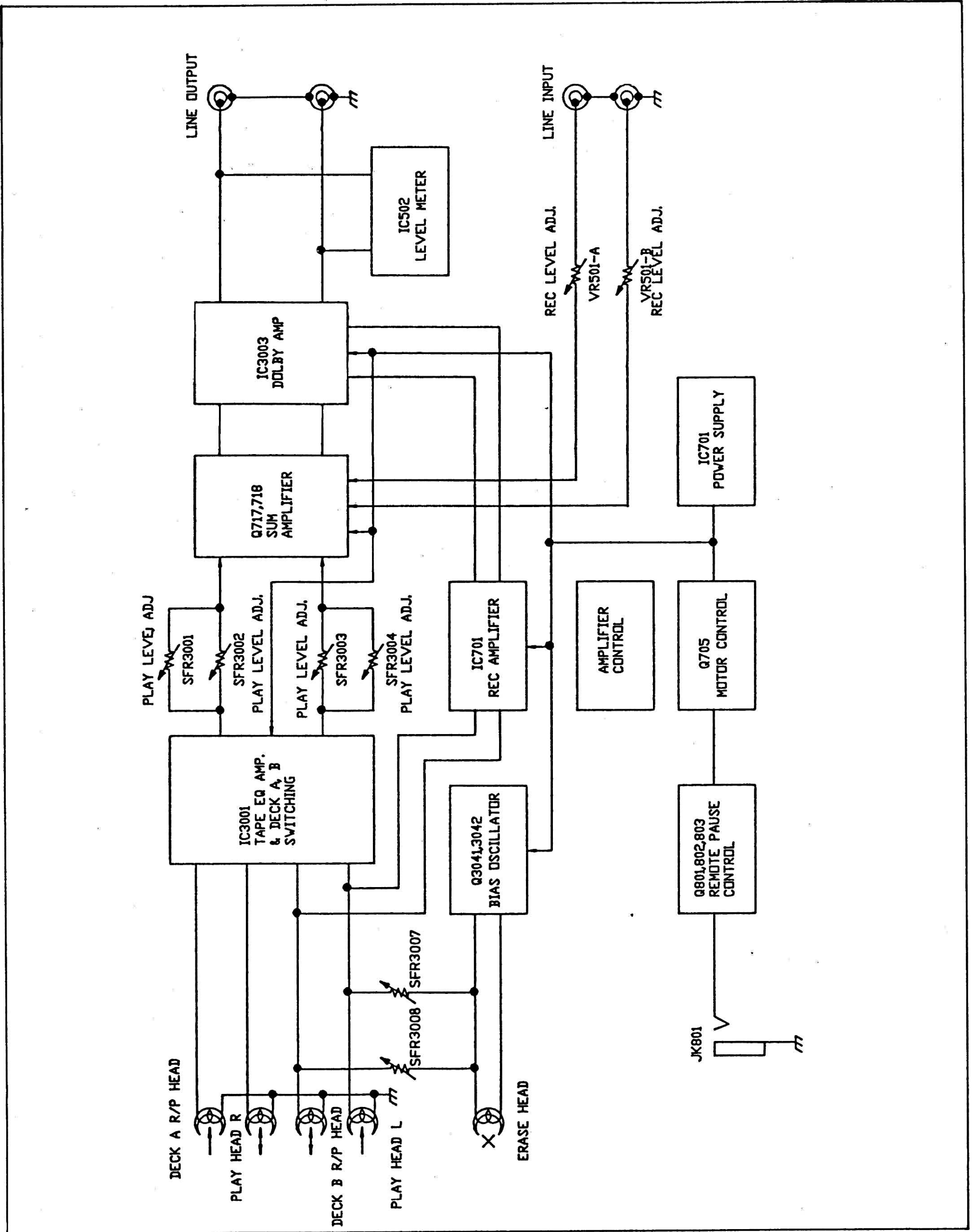
Specifications

Track format	4-track/2-channel system
Tape speed	4.75 cm/sec.
Wow/flutter	0.15% max. (WRMS)
Fast forwarding (rewinding) time	Approx. 170 sec. (for C-60 tape)
Frequency response	
Normal tape (LH)	125 to 12,500Hz ± 4dB
Signal-to-noise ratio	
DOLBY NR ON	Better than 50dB
Input sensitivity	
LINE IN (REC)	100 mV
Power requirements	120/220-240V (50/60 Hz)
For U.S.A. and Canada	120V (60 Hz)
Asia	120/230V (50/60 Hz)

Power consumption	15 watts
Dimensions	430 mm (16-15/16") W 134 mm (5-3/4") H 215 mm (8-1/2") D
Weight	4 kgs (8.8 lbs) net

- Design and specifications subject to changes without notice for improvements.
- Due to local laws and regulations, this unit sold in some areas are not equipped with variable voltage selectors.
- Dolby noise reduction manufactured under license from Dolby Laboratories Licensing Corporation.
"DOLBY", the double-D symbol (D) are trade marks of Dolby Laboratories Licensing Corporation.

1. BLOCK DIAGRAM

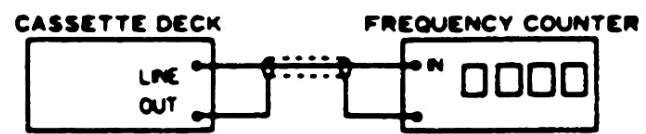


2. ADJUSTMENTS (See Fig. 2-5 Adjustment Points on page 4)

2-1. Tape Speed Adjustment

- Notes: 1. Use Sansui Test Tape, SCT-S3K.
(3 kHz signals are recorded on the tape).
2. Connections are shown in Fig. 2-1.

Fig. 2-1



(1) Normal Speed Adjustment

STEP	SUBJECT	MEASURE OUTPUT	SETTING	ADJUSTMENT	ADJUST FOR	REMARKS
1	Normal Speed Adj.	LINE OUT. Frequency Counter	Playback the TEST TAPE SCT-S3K. B Side Mecha.	Turn the SFR3009 on the Main Board (See Fig. 2-5)	3090—2940 Hz	

(2) High Speed Adjustment

- Notes: 1. Set the DUBBING switch ON
2. Set the NORMAL/HIGH switch HIGH

STEP	SUBJECT	MEASURE OUTPUT	SETTING	ADJUSTMENT	ADJUST FOR	REMARKS
1	High Speed Adj.	LINE OUT. Frequency Counter	1. Short between Test Point TP3010 and TP3011 (See Fig. 2-5) 2. Play Back the TEST TAPE SCT-3SK. A Side Mecha.	Turn the SFR3010 on the Main Board (See Fig. 2-5)	5570—5300 Hz	

2-2. Playback Adjustment

- Notes: 1. Before this adjustment, clean REC/P.B. head surface.
2. For this adjustment, use Sansui Test Tape, SCT-F10K, and SCT-L400N.
3. Set the Dolby NR switch to OFF.
4. Connections are shown in Fig. 2-2.

Fig. 2-2

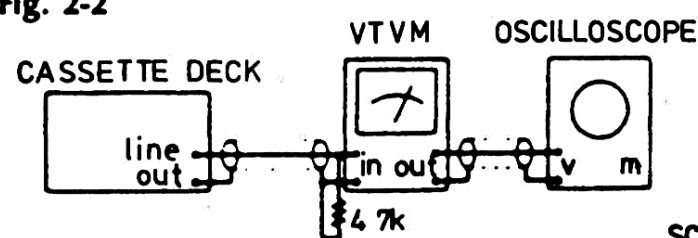
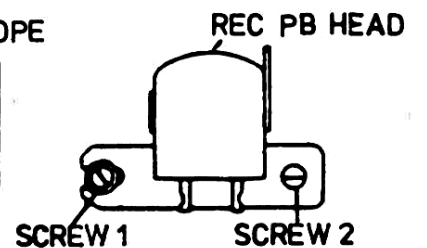


Fig. 2-3A



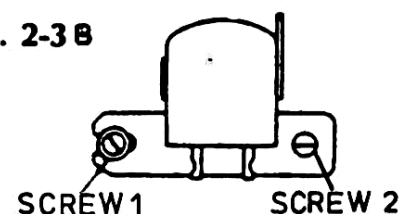
(1) a-Side Mecha. Adjustment

STEP	SUBJECT	MEASURE OUTPUT	SETTING	ADJUSTMENT	ADJUST FOR	REMARKS
1	P.B. Head Adj.	LINE OUT VTVM and Scope	Playback the TEST TAPE SCT-F10K (Forward)	Adjust the Azimuth Adjusting Screw 2 in Fig. 2-3A.	Max. Output Both Channels.	After This Adjustment, Lock the Screw with Paint.
2	P.B. Head Adj.	LINE OUT VTVM and Scope	Playback the TEST TAPE SCT-F10K (Reverse)	Adjust the Azimuth Adjusting Screw 1 in Fig. 2-3A.	Max. Output Both Channels.	After This Adjustment, Lock the Screw with Paint.
3	Playback Level Adj.	Same as Above	Playback the TEST TAPE SCT-L400N	Adjust Each SFR3001(L) and SFR3002(R), Main Board	548mV ± 1dB	See Fig. 2-5.

(2) b-Side Mecha. Adjustment

STEP	SUBJECT	MEASURE OUTPUT	SETTING	ADJUSTMENT	ADJUST FOR	REMARKS
1	REC/P.B. Head Adj.	LINE OUT VTVM and Scope	Playback the TEST TAPE SCT-F10K (Forward)	Adjust the Azimuth Adjusting Screw 2 in Fig. 2-3B.	Max. Output Both Channels.	After This Adjustment, Lock the Screw with Paint.
2	REC/P.B. Head Adj.	LINE OUT VTVM and Scope	Playback the TEST TAPE SCT-F10K (Reverse)	Adjust the Azimuth Adjusting Screw 1 in Fig. 2-3B.	Max. Output Both Channels.	After This Adjustment, Lock the Screw with Paint.
3	Playback Level Adj.	Same as Above	Playback the TEST TAPE SCT-L400N	Adjust Each SFR3003(L) and SFR3004(R), Main Board.	548mV ± 1dB	See Fig. 2-5.

Fig. 2-3B



2-3. Bias Adjustment

- Notes: 1. For, this adjustment, use Sansui Test Tape, SCT-MA.
2. Set the Dolby NR switch OFF
3. REC LEVEL volume Max.
4. Connections are shown in Fig. 2-1.

STEP	SUBJECT	MEASURE OUTPUT	SETTING	ADJUSTMENT	ADJUST FOR	REMARKS
1	Bias Frequency Adj.	Between Point A of CN3004 and GND Frequency Counter.	1. Load the TEST TAPE SCT-MA 2. Push the REC and PLAY Button.	Turn the core of L3007 (Main Board)	140kHz ± 3kHz	See Fig. 2-5.

2-4. TRAP Coil Adjustment

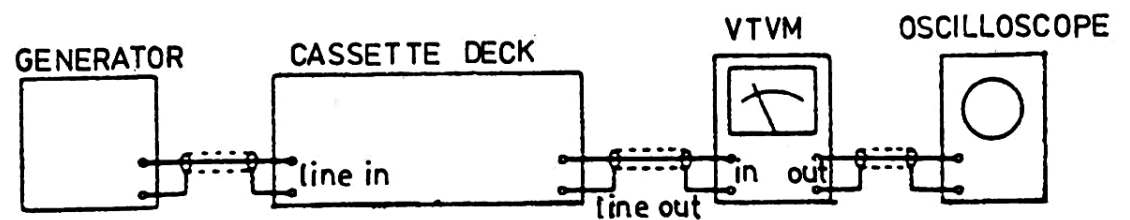
- Notes: 1. Connections are shown Fig. 2-2.
2. Use Sansui Test Tape SCT-SA.

STEP	SUBJECT	MEASURE OUTPUT	SETTING	ADJUSTMENT	ADJUST FOR	REMARKS
1	Trap Coil Adj.	Between Test Point TP3003 and TP3005 L-CH, Test Point TP3004 and TP3005 R-CH. Volt Meter and Scope.	1. Load the TEST TAPE SCT-SA. 2. Push the REC and PLAY Button.	Turn the Core of L3005 L-CH, L3006 R-CH. (Main Board)	Min. Output Both Channels.	See Fig. 2-5

2-5. Frequency Response Adjustment < b-Side Mecha. Only >

- Notes: 1. Connections are shown in Fig. 2-4.
2. Set the Dolby NR switch to be OFF.
3. Use Sansui Test Tape SCT-SA.

Fig. 2-4.



STEP	SUBJECT	INPUT SIGNAL	MEASURE OUTPUT	SETTING	ADJUSTMENT	REMARKS
1	Frequency Response Adj.	Feed 1 kHz 54 mV and 10 kHz 54 mV from S.G. into LINE IN	LINE OUT VTVM and Scope	Load the TEST TAPE SCT-SA. 1. Record the 1 kHz and 10 kHz Signals from S.G. 2. Playback the 1 kHz 10 kHz Signals Then Confirm 10 kHz Signal Level in Less Than 1 kHz Signal Level ± 2 dB on VTVM.	1. If Not, Adjust SFR3007(L) and SFR3008(R), Main Board Slightly Until the 10 kHz Signal Level in Less Than 1 kHz Signal Level ± 2 dB on VTVM.	See Fig. 2-5

2-6. Peak Level Meter Adjustment < a-Side Mecha. Only >

- Notes: 1. Set the REC LEVEL volume to be Max. position.
2. Use Sansui Test Tape SCT-L400.

STEP	SUBJECT	MEASURE OUTPUT	SETTING	ADJUSTMENT	ADJUST FOR	REMARKS
1	Peak Level Meter Adj.	Peak Level Meter	Playback the TEST TAPE SCT-L400	Adjust VR701 L-CH (Main Board)	Lighten the 3th LED (0dB) of Peak Level Meter.	See Fig. 2-5 TPR and TPG Shorted for L-CH.
2	Peak Level Meter Adj.	Peak Level Meter.	Playback the TEST TAPE SCT-L400	Adjust VR702 R-CH (Main Board)	L+R Lighten the 4th LED (+3dB).	See Fig. 2-5 TPL and TPG Shorter for R-CH.

2-7. Filter Adjustment < b-Side Mecha. Only >

- Notes: 1. Set the REC LEVEL volume to be Max. position.
2. Connections are shown in Fig. 2-4.

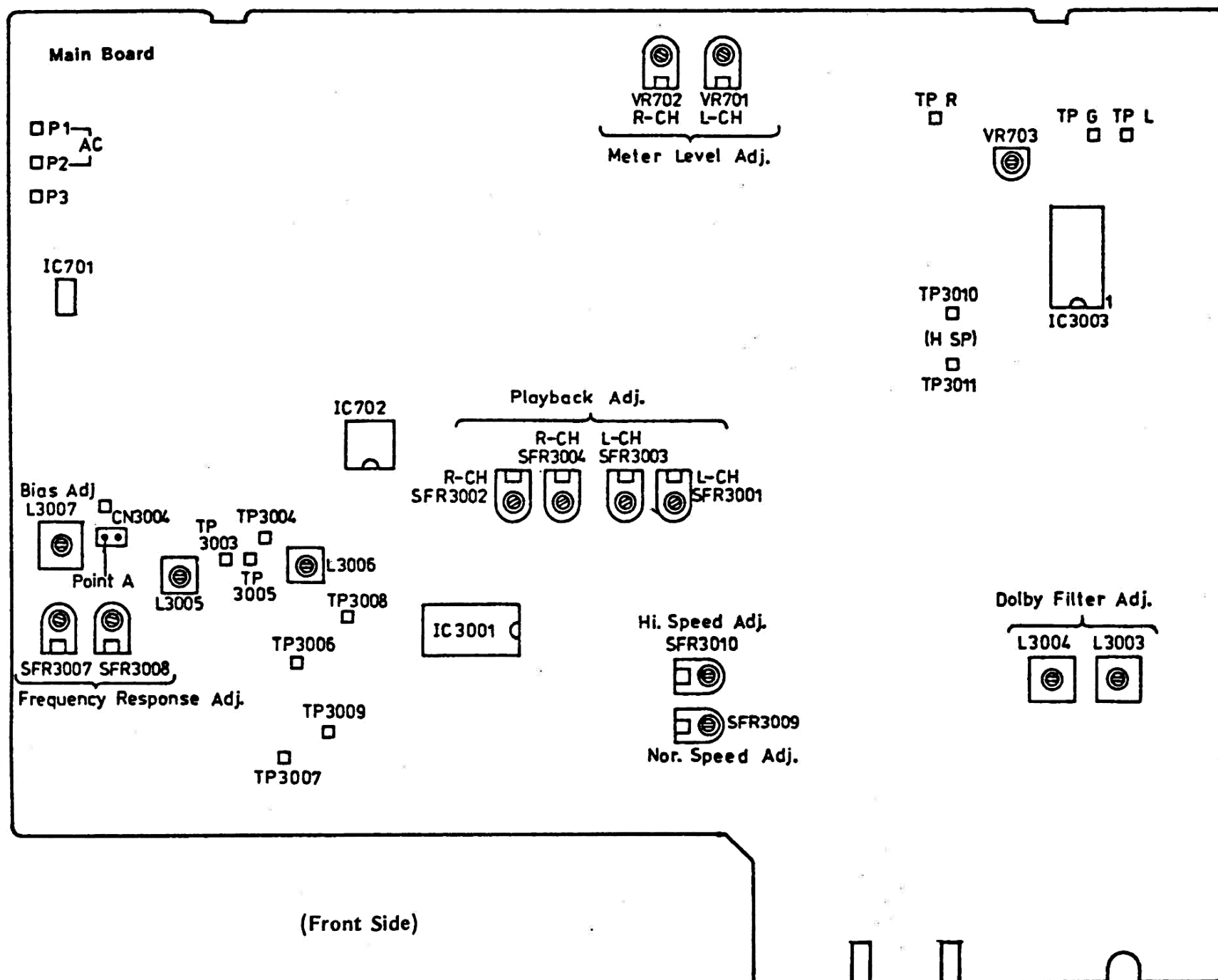
STEP	SUBJECT	INPUT SIGNAL	MEASURE OUTPUT	SETTING	ADJUSTMENT	REMARKS
1	19kHz Filter Adj.	Feed 19 kHz from Audio S.G. into LINE IN.	LINE OUT VTVM and Scope.	Push the REC and PLAY Button.	Turn the core of L3003 L-CH and L3004 R-CH. Min. Output Both Channels.	See Fig. 2-5

◆ List of Sansui Test Tape

Name of TEST TAPE	Recorded Frequency	Description	Equivalent To
SCT-F40	40 Hz	Playback Frequency Response Check	—
SCT-F1K	1 kHz	High Frequency Equalization Check	—
SCT-F10K	10 kHz	REC/PB Head Adjustment	—
SCT-L400N	400 Hz	Playback Level and Indicator Level Adjustment	—
SCT-S3K	3 kHz	Speed Check and Wow & Flutter Check	—
* SCT-AD (NORMAL)	—	Recording Bias Adjustment	TDK AD
* SCT-SA (HIGH)	—	REC/PB Level Adjustment	TDK SA
* SCT-MA (METAL)	—	Frequency Response Check	TDK MA

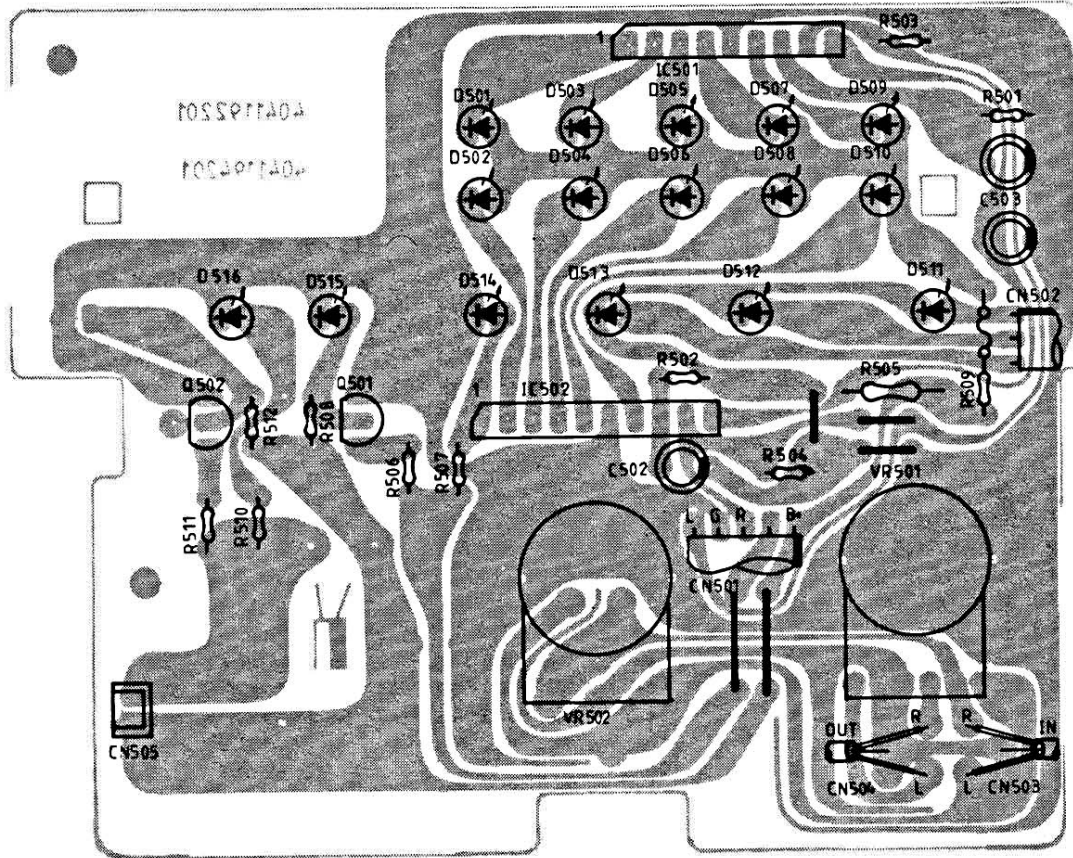
Note: Some reference tapes marked * are not supplied.
As these are equivalent to ones indicated above, please obtain these blank tapes on your side as possible.

Fig. 2-5 Adjustment points on Main board



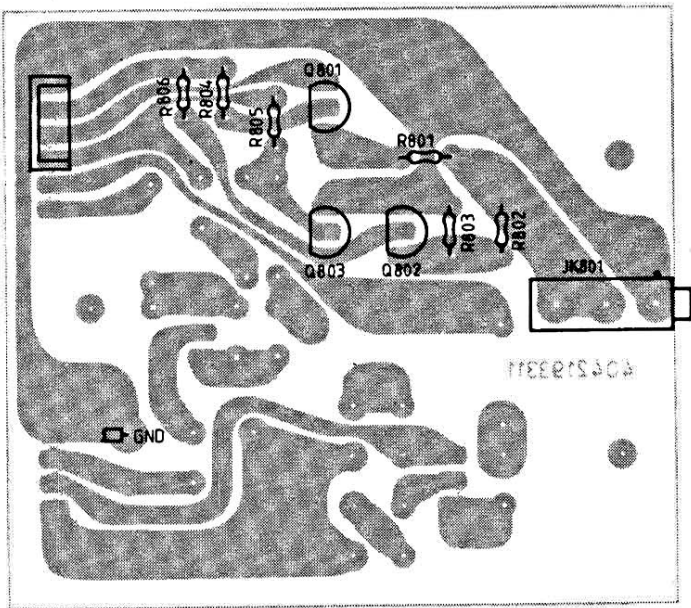
3-2. Level Control & Display Board

Component Side



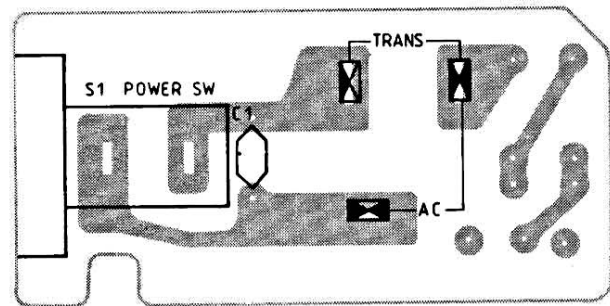
3-3. Remote Control Board

Component Side



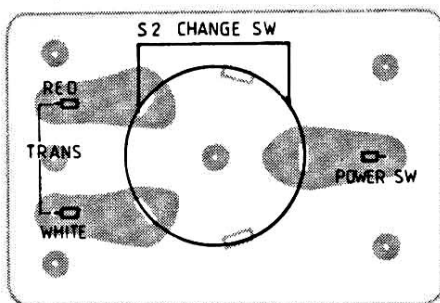
3-4. Power SW. Board

Component Side

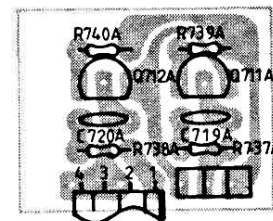


3-5. Change SW. Board (SS, XX)

Component Side



3-6. Main A Board



4. PARTS LIST OF BOARD

4-1. Main Board (Part No. C144203710)

Ref. No.	Part No.	Description
• Transistors		
Q701	410020945P,Q	2SC945P,Q
Q703	410020945P,Q	2SC945P,Q
Q704	410000733P,Q	2SA733P,Q
Q705	410000952L	2SA952L
Q706-716	410020945P,Q	2SC945P,Q
Q717,718	410021842E,F	2SC1842E,F
Q719-732	410020945P,Q	2SC945P,Q
Q733	410000733P,Q	2SA733P,Q
Q734-736	410020945P,Q	2SC945P,Q
Q3001-3008	410020945P,Q	2SC945P,Q
Q3009	410000733P,Q	2SA733P,Q
Q3010,3011	410020945P,Q	2SC945P,Q
Q3013-3016	410020945P,Q	2SC945P,Q
Q3018	410020945P,Q	2SC945P,Q
Q3025-3028	410020945P,Q	2SC945P,Q
Q3029-3031	410020945P,Q	2SC945P,Q
Q3032-3034	410020945P,Q	2SC945P,Q
Q3041,3042	410022001L	2SC2001L
• Integrated circuits		
△ IC701	415907812C or 4157078123	L7812CV MC7812CT
△ IC702	415904558A	NJM4558DA
IC3001	415307784P	TA7784P
IC3002	415C011010	CXA1101
• Diodes		
D3001	4120141480	1N4148
D3004-3014	4120141480	1N4148
D3016	4120141480	1N4148
D3019	4120141480	1N4148
△ D701-705	4138104002	1N4002
D706-709	4120141480	1N4148
D712-717	4120141480	1N4148
D719	4120141480	1N4148
L3001,3002	4329210311	Inductance 10uH "K"
L3003,3004	4160400051	Dolby MPX filter TWS-358-356
L3005,3006	4360900520	Bias trap coil TWS-358-533
L3007	4330801710	Bias oscillator coil TWS-358-654
L3008,3009	4328247186	Motor choke 470uH "K"
sFR701,702	5221082567	200k ohm S. V. R., Meter Level Adj.
sFR3001	5221085409	50k ohm S. V. R., Play Level Adj.
sFR3002	5221085409	50k ohm S. V. R., Play Level Adj.
sFR3003	5221082436	20k ohm S. V. R., Play Level Adj.
sFR3004	5221082436	20k ohm S. V. R., Play Level Adj.
sFR3007	5221085409	50k ohm S. V. R., REC Bias Level
sFR3008	5221085409	50k ohm S. V. R., REC Bias Level
sFR3009	5221081495	10k ohm S. V. R., Motor Speed Adj.
sFR3010	5221081495	10k ohm S. V. R., Motor Speed Adj.

Ref. No.	Part No.	Description
sw301	4403500563	Push SW. SPUN53A 203-CP
J701	4500800242	4P RCA jack
△ FR301	4180215057	15 1/2W F. R.
C707	7308622345	.022uF/25V C. C.
C713,714	7307822215	.0022uF/50V C. C.
C719,720	7306568115	680pF/50V C. C.
C721,722	7306533115	330pF/50V C. C.
C733,734	7306568115	680pF/50V C. C.
C737,738	7306522115	220pF/50V C. C.
C749,750	7306915015	150pF/50V C. C.
C3001,3002	7306539115	390pF/50V C. C.
C3003,3004	7306956055	56pF/50V C. C.
C3047	5091472521	.0047uF 200V P. C.
C3053-3055	7308622345	.022uF/25V C. C.
C3072,3073	7306582115	820pF/50V C. C.
C3085,3086	7306522115	220pF/50V C. C.
C3089,3090	5144101511	100pF/50V S. C.

4-2. Power SW. Board

Ref. No.	Part No.	Description
△ S1	4430102450	Power SW SDDL1017U-CP
△ C1	5106472141	.0047uF/400V Spark "L"

4-3. Level Control & Display Board (Part No. C041192201)

Ref. No.	Part No.	Description
• Transistors		
Q501,502	410020945P,Q	2SC945P,Q
• Integrated Circuit		
IC501,502	4159061240	BA6124
LED		
D501-506	4120638134	SEL3813A Level Meter
D507-511	412063813C	SEL3813C Level Meter
D512	4120638134	SEL3813A Level Meter
D513	412063213C	SEL3213C Level Meter
D514-515	4120632134	SEL3213A Deck REW. IND.
vr501	5020254135	50k ohm V. R., REC Level Control.
vr502	5020115136	100k ohm V. R., REC Level Balance
△ R509	4180210057	10 1/2W F. R.

4-4. Remote Control Board (Part No. C042193310)

Ref. No.	Part No.	Description
• Transistors		
Q801-803	410020945P,Q	2SC945P,Q
jk801	4500100240	Phono Jack 3.5φ CPT-35025

4-5. Change SW. Board (XX, SS)

Ref. No.	Part No.	Description
△ S2	4420131260	Change SW. HXW0131-01-960

4-6. Main A Board (Part No. C044200510)

Ref. No.	Part No.	Description
• Transistors		
Q711A,712A	410020945P,Q	2SC945P,Q

5. MAIN PARTS REPLACEMENT (See Exploded of Cabinet on Page 10)

to be continued

5-1. Mechanism assembly

- Remove 6 screws (M48) to remove the Top cover (M47).
- Remove 5 screws (34a) and remove the Front panel assembly from the Bottom chassis (M49).
- Remove 2 screws (M13a) and remove the Power SW PCB assembly (M12).
- Remove the Balance knob (M32) and VR knob (M33) and nut.
- Remove 3 screws (M13b) and remove the Level control & Display PCB assembly (M36).
- Remove the Counter belt (M17).
- Press the Stop/Eject button (M25) to open the L and R Cassette doors.
- Remove 5 screws (M13c) and remove the Mechanism assembly from the Front panel assembly (001).

5-2. Cassette door L and R.

- Remove the Mechanism assembly (M31) (Refer to the Mechanism assembly Replacement on the left).
- Remove 3 screws (M13d) and remove the gear damper (M19) (M30).
- Remove the Eject spring (M3) (M6).
- Remove the Cassette door L (M1) and R (M4) from the Front panel assembly.
- Remove 2 screws (M29) and remove the Deck frame holder (M28).

6. PARTS LIST OF CABINET & MECHANISM

6-1. Cabinet

Ref. No.	Part No.	Description
001	0001079095	Front escutcheon assembly
M1	JS85013000	Cassette door (L)
M2	JS85014200	Door arm (L)
M3	2004079095	Eject spring
M4	JS85013100	Cassette door (R)
M5	JS85014300	Door arm (R)
M6	2000409902	Eject spring
M8	JS85007100	Display window
M9	JS27833300	Logo badge (SANSUI 1/2)
M10	1017079902	Mirror
M14	C044182420	Power switch PCB assembly
M14a	JS85013300	Power knob
M16	5390000094	Counter T3SA100-115-794
M17	2024075907	Counter 380 x 0.8 x 0.8
M19	2005079095	Gear damper
M20	JS85007400	Cassette button-Mode
M21	JS85005500	Cassette Button-Record
M22	JS85005400	Cassette button-Play
M23	JS85005900	Cassette button-Rewind
M24	JS85005800	Cassette button-F. F.
M25	JS85005600	Cassette button-Stop/Eject
M26	JS85006000	Cassette button-Direction
M27	JS85005700	Cassette button-pause
M28	JS85014000	Deck frame holder
M30	2000001065	Gear damper
M31	-----	Cassette Mechanism assembly
M32	JS85003100	Record balance knob
M33	JS85003000	Power VR knob
M36	C041192201	Lever control display PCB assembly
M37	JS85006200	Selector knob
M40	C144203710	Main PCB assembly
M43	C042193310	Remote control PCB assembly
M47	1020079902	Top cover
M52	JS85014900	Foot
M53	JS27593800	Foot sheet
M55	-----	Change SW PCB assembly (SS, XX)
M57	4580200006	Cord stopper SR-4N-6
△ M58	4631312070	AC cord 7F BLK SPT2 (UL/CSA)
△	4630212070	AC cord 6.5F BLK (XX)
△	4630212065	AC cord 6.5F BLK (SS)
M60	C044200510	Main PCB A assembly
△ T1	4209482241	Power transformer EI-48 (UL/CSA)
△	4209481227	Power transformer EI-48 (SS, XX)
△ S1	4430102450	Push SW, power
△ S2	4420132160	Change SW, HXW0131-01-960 (SS, XX)
△ F701	5266125020	Fuse UL/CSA T1.25A/125V (UL/CSA)
△	5267125060	Fuse SEMK T1.25A/250V (SS, XX)

6-2. Mechanism

Ref. No.	Part No.	Description
1	0185101305	Chassis assembly
2	0185101303	Chassis assembly
3	0018510108	Pause lever
4	0182101201	Pause lever
5	0018210115	Pause lever
6	0018210116	Pause lever spring
7	0018291006	Pack spring plate
8	3049251725	Camera screw tapping M1.7x2.5
9	0018511903	C pulley
10	0018510109	Record safety lever
11	0018511904	C bracket
12	0018511905	C Pully shaft
13	0018511906	C belt
14	0018510106	H. W. Terminal plate
15	0018650965	Wire clamp
16	0018510453	H. P. collar (V)
17	0018510408	Release plate
18	0018510409	R. C. plate spring
19	0018510411	R. C. spring (M)

Part List (Mechanism)

Ref. No.	Part No.	Description
20	0018510447	Head panel (A)
21	0018510446	R. C. plate (A)
22	0018510448	Head mount (A)
23	0018510418	Holder
24	0018510444	Pinion gear
25	0018510420	H turn over gear
26	0018510421	Head slide plate
27	0018510424	Head spring plate
28	0018510425	H turn over spring
30	0018510427	H holder spring
31	0018510428	Pinch roller spring (F)
32	0018510429	Pinch roller spring (R)
33	0018510436	Screw holder
34	0018650259	Azimuth spring (D)
35	4030420190	R/P head YK10R-SSOCO
36	4400000090	Leaf switch MSW-1664
37	4030320221	E head E-3621PR-0100
38	0018510441	H shield plate
40	0064010138	Leaf switch MSW-1275
41	0185112506	Flywheel assembly
42	0185112505	Flywheel assembly
43	4400000076	Leaf switch MSW-1473NBK
44	0018511410	Motor bracket
45	0018201306	Motor rubber
46	0018211202	M collar screw
47	0182112101	Anti-vibration felt
48	0018511422	Motor pulley
49	4020100179	Motor SHU-2L00
50	0018511404	P kick lever spring
51	0018511413	P kick lever (RA)
52	0018511414	P kick lever (RB)
53	0018211223	P. K. collar screw (A)
54	0018211224	P. K. collar screw (B)
55	0018511708	Eject slide lever
56	0018001022	Anti-vibration felt
57	0018510308	Turn over SW bracket
58	0018650930	Center pulley
59	0185114306	Center pulley bracket assembly
60	0018511416	Main belt (square)
61	0018511417	Main belt (square)
62	0018511703	Eject slide lever
63	0018511702	Eject slide lever spring
64	3019062004	+ Tams 2x4
65	3049252004	Camers screw S tapping 2x4
66	0185102304	Program button assembly (S)
67	0185102311	Mode button lever (S) assembly
68	0185102313	REC button lever (S) assembly
69	0185102309	Mode button assembly (S)
70	018510232T	Play button lever (S)
71	0018510235	F. F. button lever R (S)
72	0018510234	F. F. button lever (S)
73	018510231T	Stop button lever (S)
74	0185102312	Program button lever
75	0185102310	Pause button lever assembly
76	0018510260	Lever collar
77	0018510268	Mode button lever spring
78	0018510262	E lock arm spring
79	0018510414	Head panel
80	0018510270	Program button lever spring
81	0018510269	F. F. button lever spring
82	0018510227	Pull arm spring
83	0018511606	F. F. SW plate spring
84	0018510415	RC plate
85	0185102312	Lock actuator assembly
86	0018510292	Slide plate
87	0185102314	Lock actuator assembly
88	0018510276	Lock release spring
89	0185102315	Switch actuator assembly
90	0018510267	Switch actuator spring
91	0185102504	Button base assembly
92	0018510221	Stop button lever spring
93	0018510241	F. F. control arm
94	0018510242	Button lever spring (P)
95	0185102322	Switch actuator assembly

to be continued

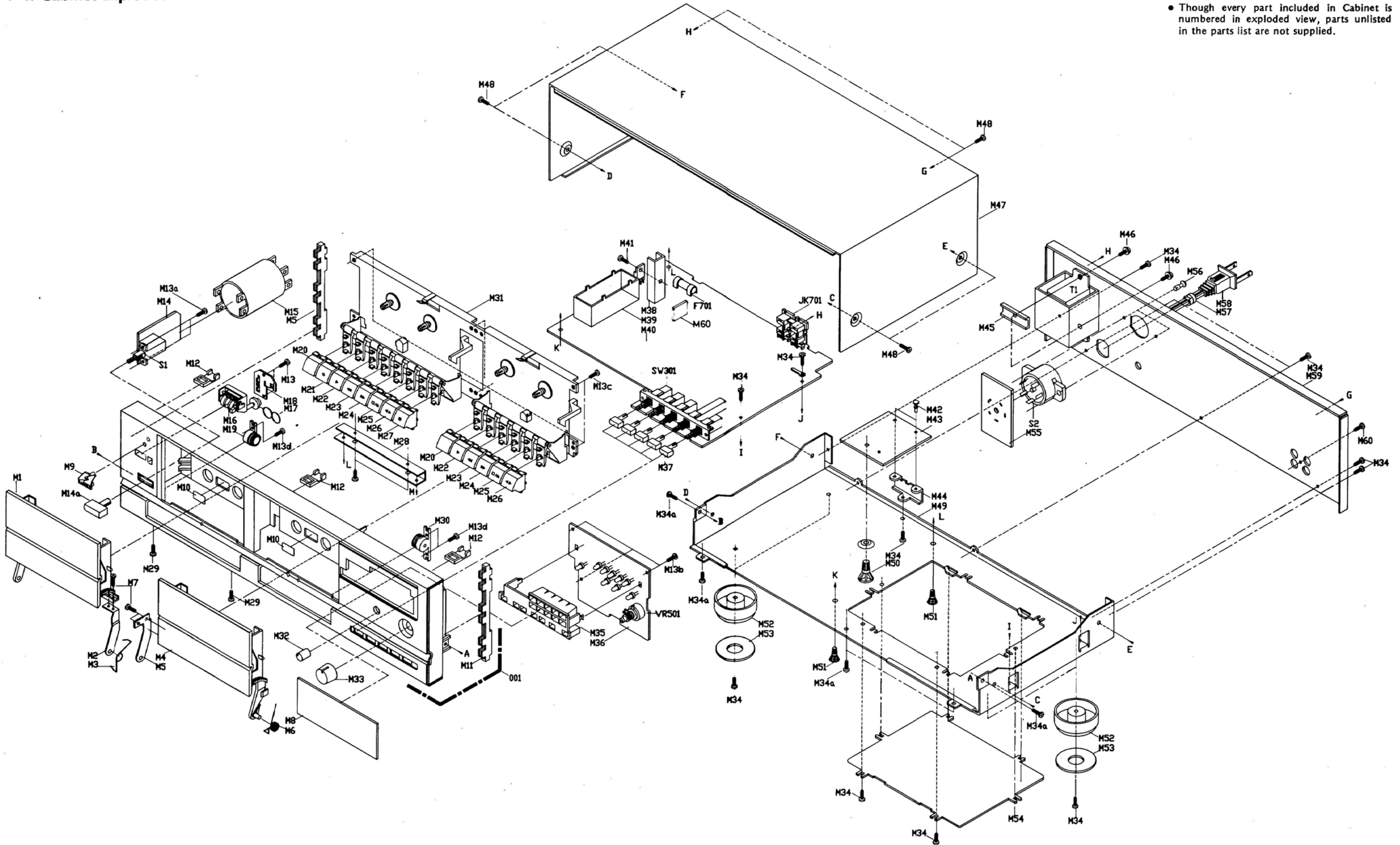
Part List (Mechanism)

Ref. No.	Part No.	Description	Ref. No.	Part No.	Description
96	0018510256	Slide plate	135	0018510703	F. F. gear
97	0018510439	Head mount	136	0018510704	F. F. gear arm spring (F)
98	0018001075	Anti-vibration felt	137	0018510705	F. F. gear arm collar
99	0018511118	Anti-vibration felt bracket	138	0185108301	F. F. gear arm (R) assembly
100	0018513113	Button frame (8S)	139	8661200500	Cup tapping screw 2x5
101	0018513103	Bracket	140	0185109502	Pinch roller (F) assembly
102	0018513104	Opexation lever	141	0185110502	Pinch roller (R) assembly
103	0018513107	Button lever shaft	142	0018001123	Pause spring
104	0018510258	Pause arm collar	143	8611200400	+ C tapping screw 2x4
105	0185111301	Reel plate assembly	144	3029286005	P washer 2.8x6x0.5
106	0185111501	Reel assembly	145	3049042006	Tapping screw 2x6
107	0185118303	SUB chassis assembly	146	3019292005	+ Tams 2x5
108	0018511810	RC arm	147	3019222612	Camera screw 2.6x12
109	0018511805	Auto control arm (F)	148	3049302003	C tapping screw M2x3 (special)
110	0018511806	Auto control arm (R)	149	3049242004	+ C tapping screw M2x4
111	0018511807	Control larm collar	150	3049052006	P tapping screw M2x6
112	0018510291	Record switch plate	151	3049221703	Camera S tapping screw M1.7x3
113	0018511808	Pause arm	152	3029215005	P washer cut 2.1x5x0.5
114	0018512001	Auto lever (F)	153	3019282004	Two lock screw M2x4
115	0018512003	Auto lever (R) spring	154	3049271704	Camera S tapping screw M1.7x4
116	0018512005	Spring stopper	155	3029144005	+ - screw M2x12
117	0018512002	Auto lever (R)	156	3029203503	P washer 2x3.5x0.3
118	0018512004	Auto levere (F) spring	157	3029213003	P washer 2.1x3x0.3
119	0018513101	Button frame (S)	158	3029144005	P washer cut 1.45x4x0.5
120	0018293103	Button lever shaft	159	3029082825	P washer cut 0.85x2.8x0.25
121	0018213107	Operation lever	160	3049251704	Camera S tapping screw M1.7x4
122	0018510303	Turn over arm	161	3029123025	P washer cut 1.2x3x0.25
123	0018510304	Turn over spring	162	3029123004	P washer cut 1.2x3x0.4
124	0018511602	F. F. switch plate	163	3029308513	P washer 3x8.5x0.13
125	4400000148	Leaf switch MSW-1290CV	164	3029281785	Camera S tapping screw M1.7x8.5
126	0018513104	Operation lever	165	3049042010	C tapping screw M2x10
127	3049242004	+ C tapping screw 2x4	166	3049292005	+ C tapping screw M2x5
128	0185105302	T gear arm (F) assembly	167	3049042009	Camera S tapping screw M2x9
129	0018510504	T gear arm (F) spring	168	3029174003	P washer 1.75x4x0.3
130	0018510503	T cam gear (F)	169	3130000015	E ring S1.5
131	0185106302	T gear arm (R) assembly	170	3130000020	E ring S2.0
132	0018510603	T gear arm (R) spring	171	3049032004	Tapping screw 2x4
133	0018510602	T cam gear (R)	172	0011140302	Cord clamp
134	0185107301	F. F. gear arm (F) assembly	173	3049042003	C tapping screw 2x3
			174	0018513414	Button frame bracket

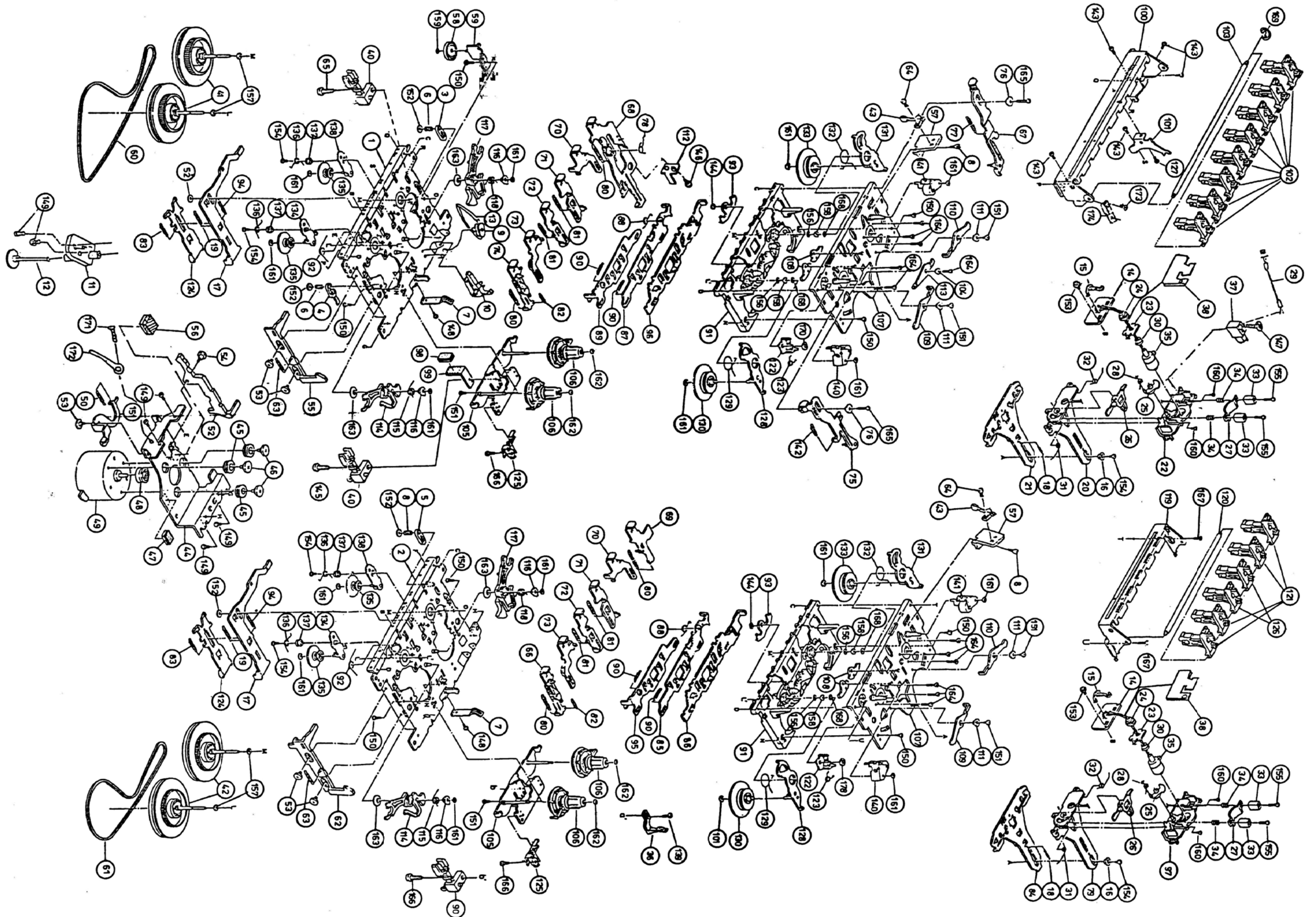
7. EXPLODED VIEW OF CABINET & MECHANISM

7-1. Cabinet Exploded View

• Though every part included in Cabinet is numbered in exploded view, parts unlisted in the parts list are not supplied.

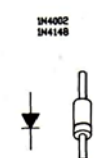
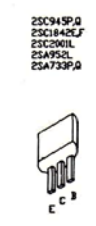
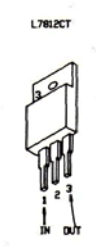
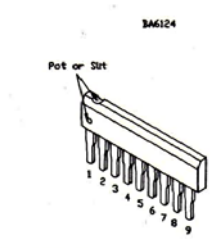
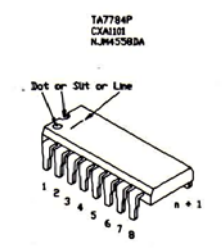
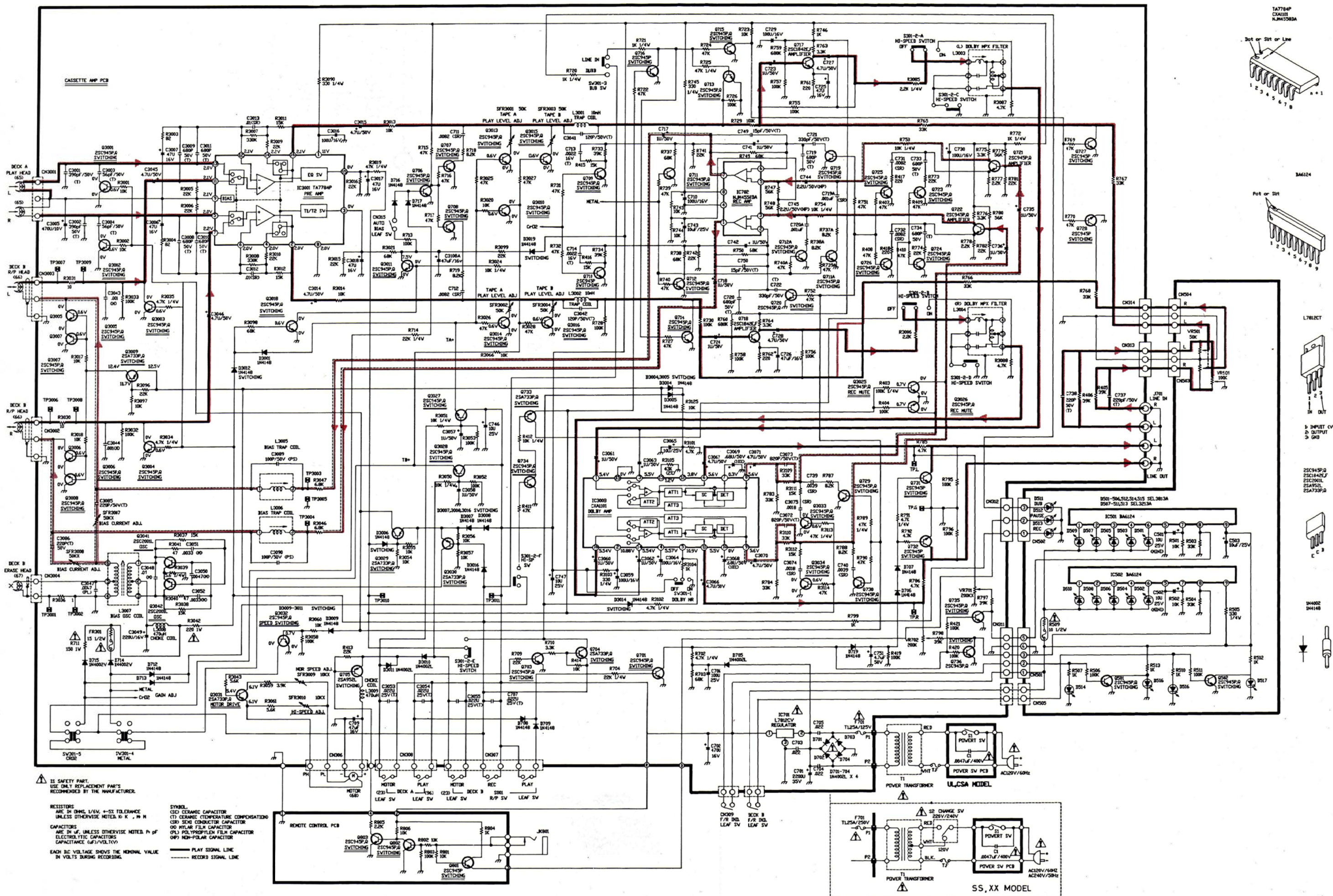


7-2. Mechanism Exploded View



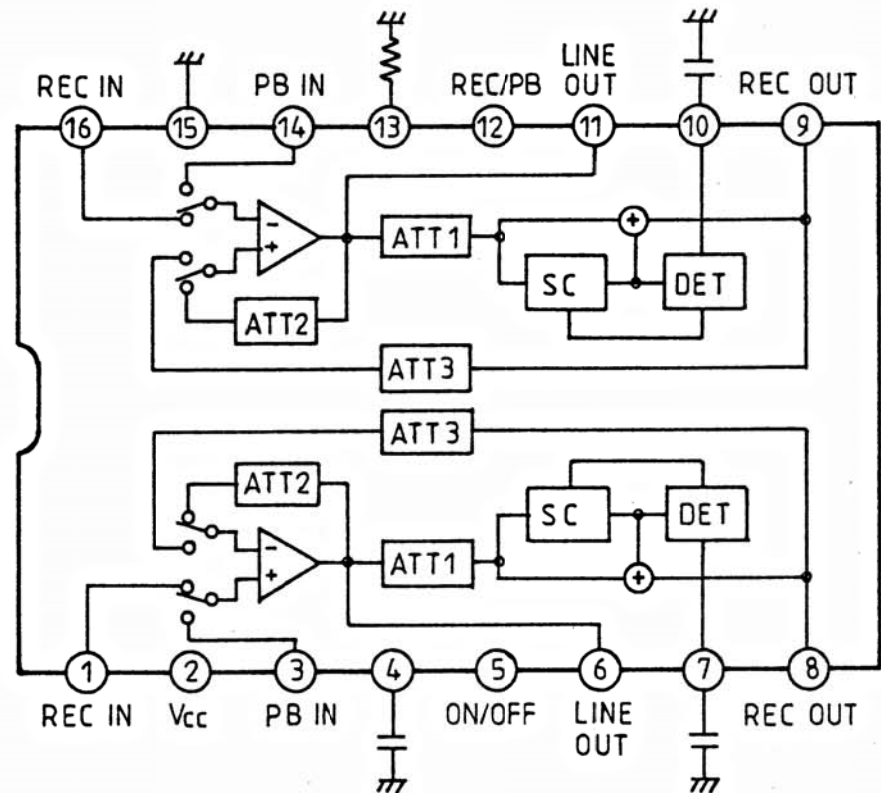
8. SCHEMATIC DIAGRAM

• Design and specifications subject to change without notice for improvement.
 • La présentation et les spécifications sont susceptibles d'être modifiées sans préavis par suites d'améliorations éventuelles.
 • Änderungen, die dem technischen Fortschritt dienen, bleiben vorbehalten.



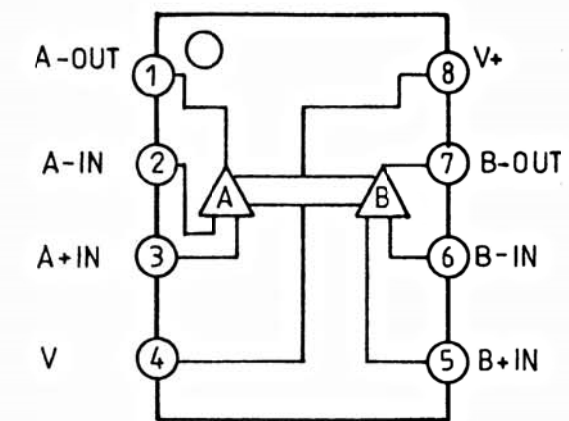
9. INTERIOR BLOCK DIAGRAM OF IC

●CXA1101 <Dolby Noise Reduction>



ATT: Attenuator
SC: Side Chain
DET: Detector

●NJM4558DA <OP AMP>



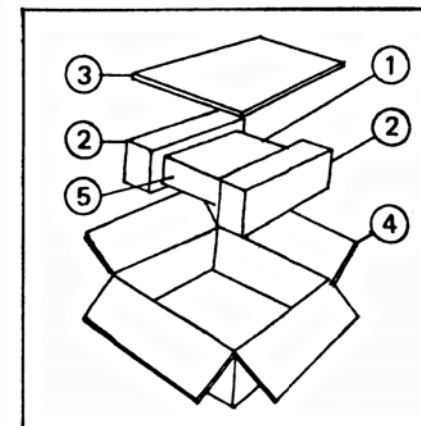
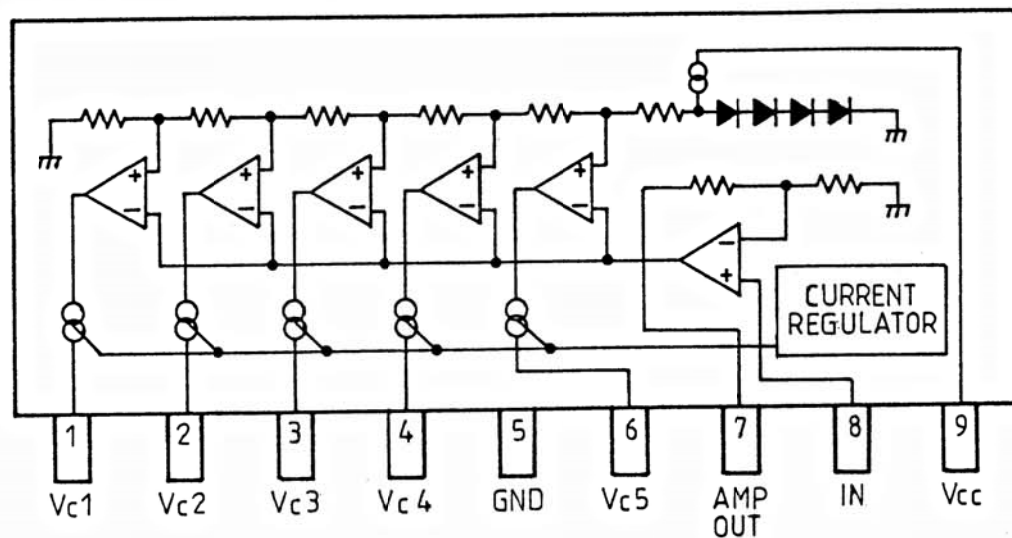
10. PACKING LIST

Ref. No.	Part No.	Description
1	9906004546	Poly bag
2	9001079902	Snow box
3	9006079902	Carton plate
4	9001079095	Gift book
5	9004079902	Soft sheet

11. ACCESSORY LIST

Ref. No.	Part No.	Description
	5620709501	Patch board (GRY-950)
	5620060042	3.5 Pulg cable BLK-600
	9080017160	Instruction book

●BA6124 <LED Drive>



SANSUI ELECTRIC CO., LTD.:

SANSUI USA INC.:

SANSUI DEUTSCHLAND G.M.B.H.:

山水電気株式会社

New River Bldg. 10-14, Shinkawa 1-chome, Chuo-ku, Tokyo 104, Japan
PHONE: (03) 5566-1024 / FAX: 03-5566-1027 (International Division)
1250 Valley Brook Ave. Lyndhurst, N.J. 07071 U.S.A.
17150 South Mergay Ave. Carson, California 90746 U.S.A.
Paul-Ehrlich-Strasse 8, 8074 Rödermark 2, West Germany

東京都中央区新川1-10-14 (〒104)